



**Weblink**  
1480

Biogen Idec. San Diego, California, USA. Architect: Hellmuth, Obata + Kassabaum, Inc. Lighting designer: Lighting Design Alliance. Photo: Scott McDonald of Hedrich Blessing

## Design

Alfred Homann

## Concept

AH System 360 offers a system where lighting effects result from a combination of matched matt or polished reflectors and light distribution parts (LDP). The LDP trims are designed to control directly reflected downlight, while also emitting soft light to the surrounding space and ceiling. The system can be used to create basic as well as sophisticated lighting schemes.

## Finish

Polished aluminium. Satinised aluminium, wet painted.

## Material

LDP: Die cast aluminium. Glass: White opal crystal glass or mouth-blown white opal glass. Support arms: Die cast aluminium. Reflector: Spun aluminium, matt anodised or spun metallised polished aluminium.

## Mounting

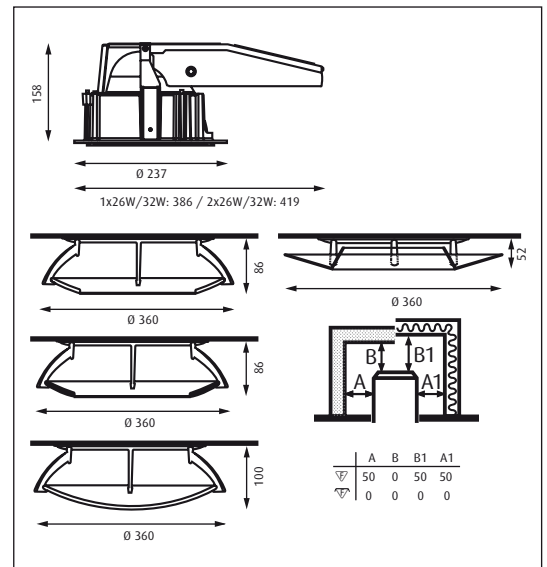
Ceiling thickness: 1-50mm. Ceiling Cut-Out: Ø 210mm. Terminal block: 1x5x2.5mm<sup>2</sup>. Looping: Approved, max. 5x1,5mm<sup>2</sup>.

## Weight

Max. 4kg.

## Class

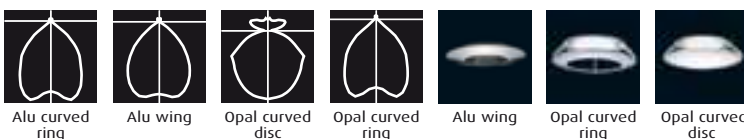
Ingress protection IP21. Electric shock protection I w. ground. ⚡: 2x26W & 2x32W. ⚡: 1x26W & 1x32W.



Product code	Light source	Finish	Light technique	Reflector	Lighting control
AHS-360-C	1x26W TC-TEL GX24q-3 HF 1x32W TC-TEL GX24q-3 HF 1x32W TC-TEL GX24q-3 HF-D 2x26W TC-TEL GX24q-3 HF 2x32W TC-TEL GX24q-3 HF 2x32W TC-TEL GX24q-3 HF-D	POLISH ALU SATINISED ALU	ALU CURVED RING ALU WING OPAL CURVED DISC OPAL CURVED RING	MATT POLISH	NONE DALI/DSI/SWITCH-DIM/SMART-DIM DIM 1-10V EMPK

## Info notes:

All variants can be delivered with light source and/or 2m cable + plug. A complete fixture consist of a reflector unit and a light distribution part (LDP). Emergency box to be ordered separately.



Alu curved ring   Alu wing   Opal curved disc   Opal curved ring   Alu wing   Opal curved ring   Opal curved disc



Page 39

Page 40