

wall



Weblink
1526

Project page
254, 364

Design

Louis Poulsen Lighting A/S

Concept

Toldbod 155 Wall provides concentrated downward illumination. The opal shield ensures an even & glare-free light distribution. The inside is painted white to ensure good reflection, making the fixture as efficient as possible.

Finish

Aluminium coloured with textured surface or black with textured surface, powder coated.

Material

Fixture head: Chilled casting aluminium. Shield: Laser cut acrylic satine. Wall box: Die cast aluminium. Arm: Chilled casting aluminium.

Mounting

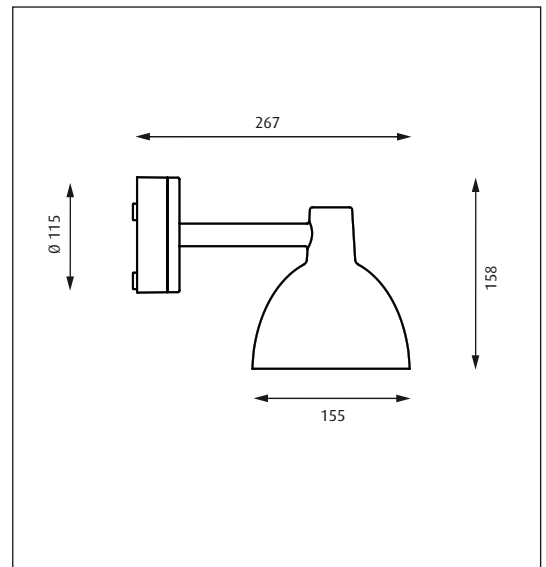
Terminal block: 1x3x2.5mm². Cable entries: 2x bottom + 3x rear entries for Ø 10-14.5mm cable. Looping: Approved, max. 3x1,5mm².

Weight

Max. 1.5kg.

Class

Ingress protection IP44. Electric shock protection I. ⚠



Product code	Light source	Finish
TOL-155-W	1x40W D45 Frosted E14	ALU COL TEXT BLK TEXT

Info notes:
Fitting carries individual security identity number. Find energysaving alternative light sources on www.louispoulsen.com.



Alu farve



Page 160



Page 178



Page 110



Page 197



Private residence
Rungsted, Denmark
Photo
Anders Sune Berg