

Toldbod 120 Pendant

**louis
poulsen**

pendants



Studio Photo

Weblink
2528

Design
Louis Poulsen Lighting A/S

Concept
The Toldbod The Toldbod pendant is envisioned to be both decorative and functional, ideal for placing over work areas or for illuminating focal points in a room. The controlled, direct downlight lends an exciting effect to a room and the colour-rendering properties of the light source make the pendant perfect for e.g. workstations requiring high natural colour rendering.

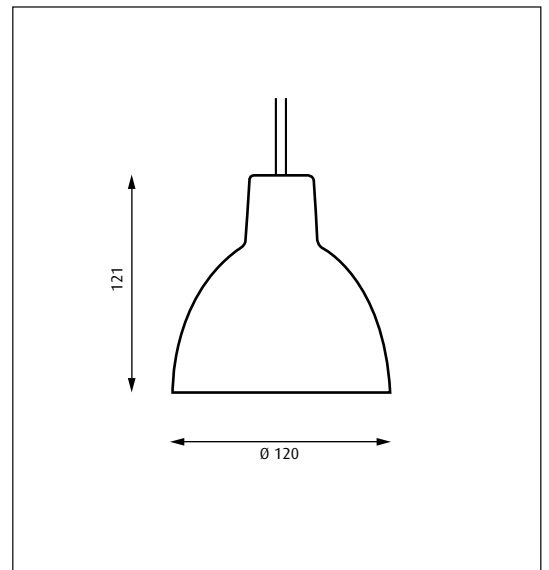
Finish
Black Berries (black), Cloudy White (white), Grey Thunder (dark grey), Misty Blue (pale blue), Yellow Blossom (yellow).

Material
Shade: Spun aluminium. Reflector: Spun, anodized aluminium.

Mounting
Suspension type: Cable 2x0.75mm². Cable length: 2.6m. Ballast: No. Canopy: No.

Weight
Max. 0.5kg.

Class
Ingress protection IP20. Electric shock protection II w/o ground. ⚠



Product code	Light source	Finish	Cable type
TOLD-120-P	1x40W QT ax-14 Frosted G9	BLACK BERRIES CLOUDY WHITE GREY THUNDER MISTY BLUE YELLOW BLOSSOM	SILICONE W/GREEN BRAID SILICONE W/PURPLE BRAID SILICONE W/TURQUOISE BRAID SILICONE W/WHT BRAID SILICONE W/YELLOW BRAID

Variant notes:
Black Berries is available with white cord or green cord. Cloudy White is available with white cord or turquoise cord. Misty Blue is available with white cord or purple cord. Grey Thunder is available with white cord or yellow cord. Yellow Blossom is only available with white cord.

Info notes:
Does not require transformer. Supplied with 33W Energy Saving Halopin QT G9 230V light source.



Black Berries Yellow Blossom Cloudy White Grey Thunder Misty Blue



Page 110 Page 158 Page 160 Page 178 Page 197