



Studio photo. Photo: Kaslov Studio

Weblink
2185

Design
Shoichi Uchiyama

Concept
Enigma 545 emits glarefree light of high quality. The illumination of the five shades gives a floating and sculptural character.

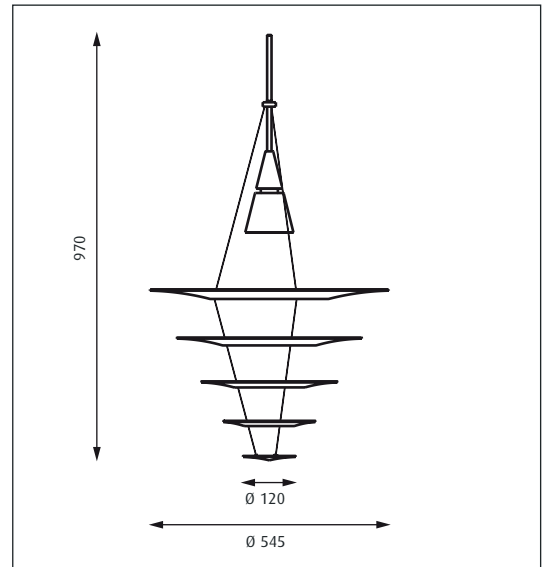
Finish
Aluminium, brushed and coated. Matt coated acryl.

Material
Cone: Brushed & lacquered aluminium. Wire: Stainless steel. Shades: Matt coated acryl. Pendant tube: Brushed & lacquered aluminium.

Mounting
Suspension type: Cable 2x0.75mm². Canopy: Yes. Cable length: 4m.

Weight
Max. 2kg.

Class
Ingress protection IP20. Electric shock protection II w/o ground.



Product code	Light source	Finish	Cable type
ENIG-545-P	1x50W QR GU10	BR. ALU	TRANSP CABLE

Info notes:
Supplied with light source.

